

**DESIGN DATA**  
**MODEL BB-606060**

**PROCESS CHAMBER:**

**DIMENSIONS:**

WORKING ENVELOPE: 60" W X 60" D X 60" H  
INSIDE DIMENSIONS: 66" W X 68" D X 87" H

DESIGN LOAD: (Load of steel that will be heated to 750°F in one hour or less) 4,000 POUNDS  
CART LOAD CAPACITY: 6,400 POUNDS  
CART SIZE: 60" W X 60" L  
OPERATING TEMPERATURE: 650°F TO 900°F  
EXCESS TEMPERATURE SET POINT: 50°F-100°F OVER SET POINT  
OVER TEMPERATURE SUPPRESSION SET POINT: 20°F -50°F OVER SET POINT  
BURNER CAPACITY: 750,000 BTU'S

**THERMAL OXIDIZER:**

OPERATING TEMPERATURE RANGE: 1400°F-1600°F  
RETENTION TIME AT TEMPERATURE: 0.5-1.0 SECONDS  
APPROXIMATE CAPACITY: 50 LBS. PER HOUR  
TEMPERATURE SUPPRESSION SET POINT: 100°F OVER SET POINT  
EXCESS TEMPERATURE SET POINT: 1850°F  
BURNER CAPACITY: 750,000 BTU'S  
STACK LENGTH: 18' STANDARD  
TOTAL HEIGHT (GROUND TO TOP OF STACK): 28'-2"

**UTILITIES REQUIRED:**

**NATURAL GAS:**

AT 7" INCHES WATER COLUMN ( 0.25 PSI ) PRESSURE UNDER FLOW.  
STATIC PRESSURE NOT TO EXCEED 14" W.C.  
REGULATORS DO NOT FUNCTION PROPERLY BELOW 6"W.C.  
MAXIMUM CAPACITY: 1,500 CFH (CUBIC FEET/ HOUR)  
NORMAL USAGE: 900 CFH (CUBIC FEET/ HOUR)

**ELECTRICAL:**

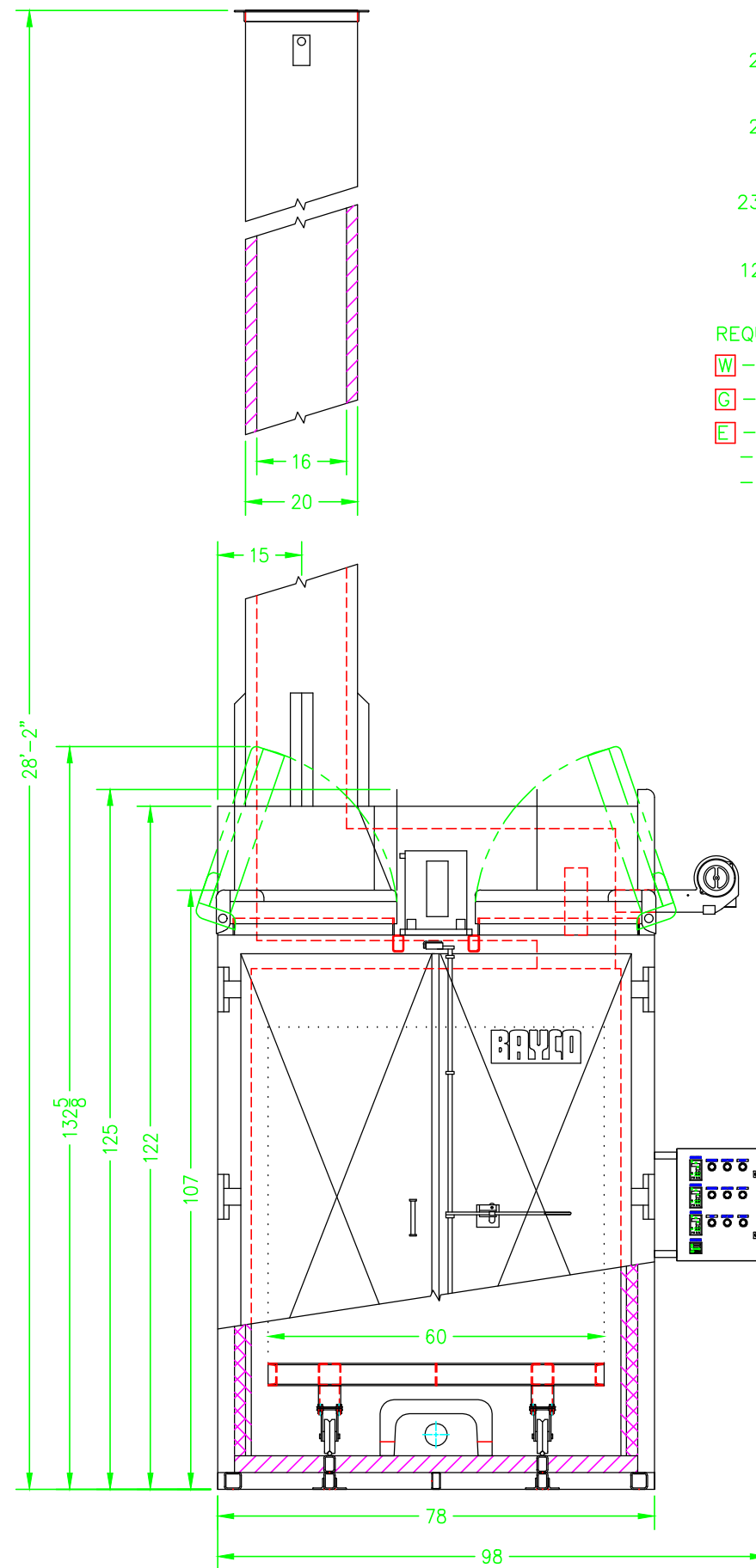
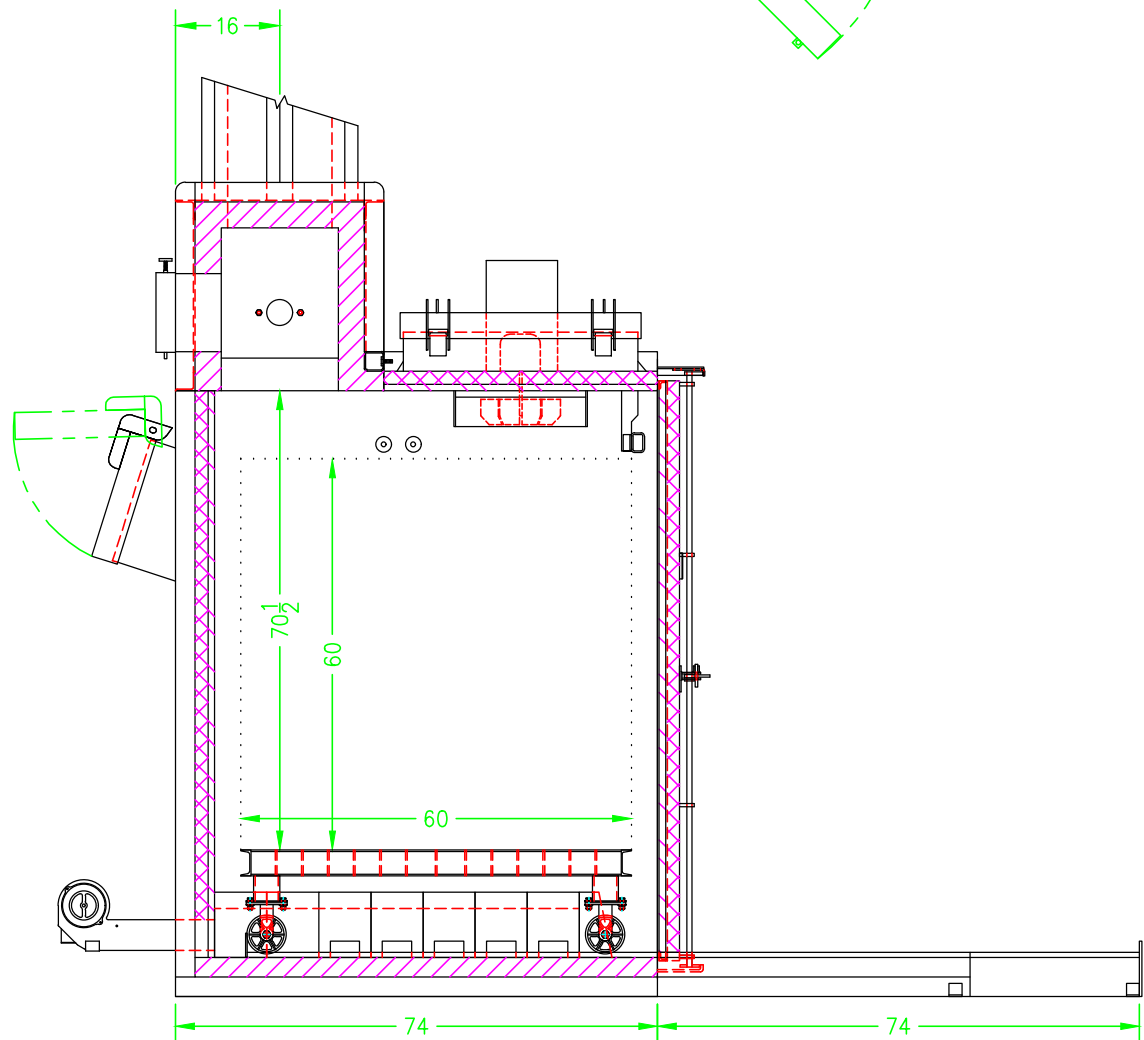
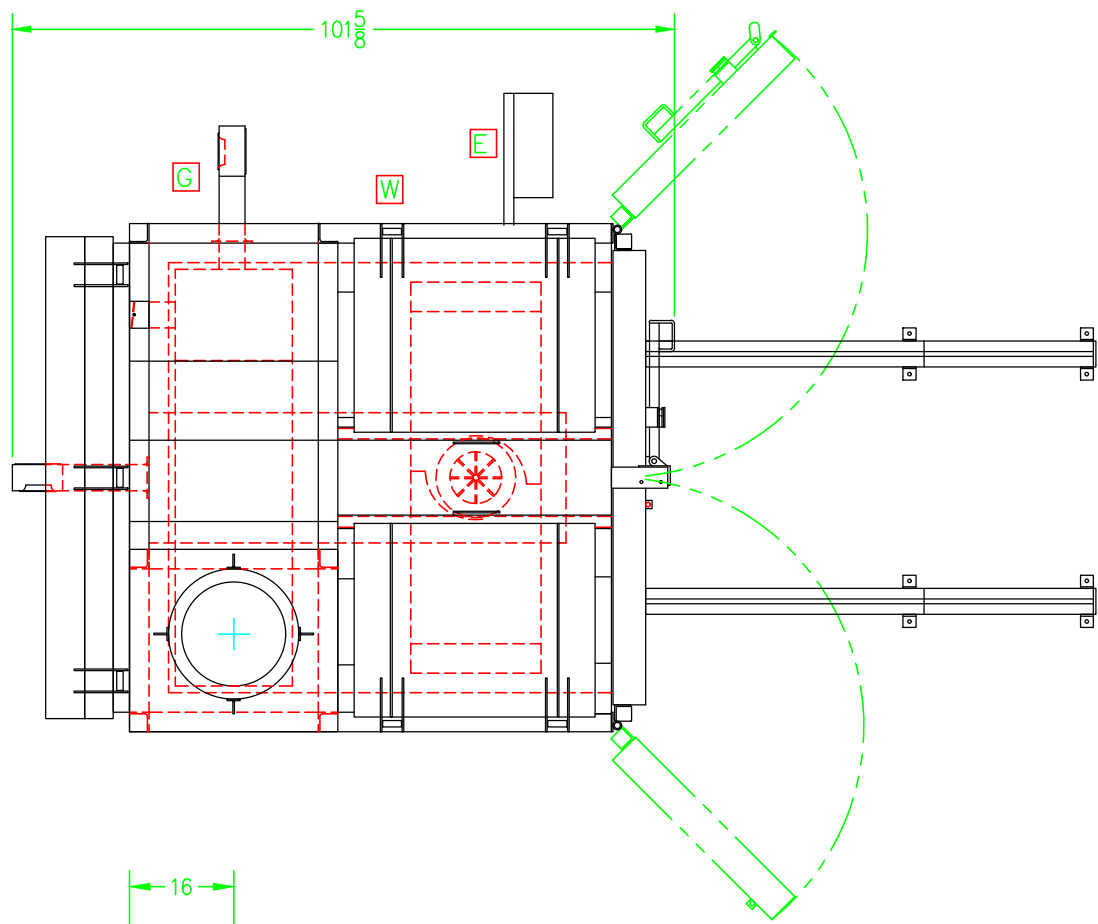
DEDICATED 120V/ 1 PH/ 60 HZ SERVICE: 15 AMPS (OVEN)  
DEDICATED 230V/ 3 PH/ 60 HZ SERVICE: 20 AMPS (SS BLOWER OPTIONAL)

**WATER:**

CONNECTION 3/4": 35-50 PSI UNDER FLOW  
ONLY REQUIRED FOR OVER  
TEMPERATURE CONDITIONS

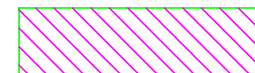
**PERFORMANCE WARRANTY:**

PROPOSED EQUIPMENT IS WARRANTED TO BE CAPABLE OF OPERATING AT THE HEAT OUTPUT AND TEMPERATURE RANGE SHOWN ABOVE, PROVIDED PROPER UTILITIES ARE CONNECTED AND THAT THE EQUIPMENT IS PROPERLY MAINTAINED. THERMAL OXIDIZER CAPACITY RATING MAY VARY DUE TO TYPE OF COATING, LOADING CONFIGURATION, PROCESS TEMPERATURE SETTING AND CYCLE TIME.

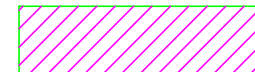


REFRACTORY

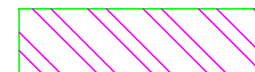
2500° CAST



2300° CAST



2300° BOARD



1200° BLOCK



REQUIREMENTS

- W – 1.4 GPM AT 45 PSI
- G – 1,500 CFH AT 7" WC NATURAL GAS
- E – 120V 15A 60HZ 1PH SUPPLY
- 208/220V 15A 3PH 60HZ CIRCULING BLOWER
- 460V ALSO AVAILABLE

THIS CONCEPTUAL DRAWING IS PROVIDED TO ILLUSTRATE BASIC DESIGN AND APPROXIMATE OVER ALL DIMENSIONS.

THIS DRAWING IS PROPRIETARY INTELLECTUAL PROPERTY OF GUSPRO INC. AND IS NOT TO BE REPRODUCED OR DISTRIBUTED IN ANY MANNER WITHOUT THE EXPRESSED WRITTEN PERMISSION OF GUSPRO INC.

	OVEN NO.	DATE
	BB-606060	11/JUL/14
CUSTOMER'S NAME		
CUSTOMER'S ADDRESS		
DRAWN BY	APPROVED BY	REVISION DATE
		1/AUG/14

**DESIGN DATA**  
**MODEL BB-606060**

**PROCESS CHAMBER:**

**DIMENSIONS:**

WORKING ENVELOPE: 60" W X 60" D X 60" H  
INSIDE DIMENSIONS: 66" W X 68" D X 87" H

DESIGN LOAD: (Load of steel that will be heated to 750°F in one hour or less) 4,000 POUNDS  
CART LOAD CAPACITY: 6,400 POUNDS  
CART SIZE: 60" W X 60" L  
OPERATING TEMPERATURE: 650°F TO 900°F  
EXCESS TEMPERATURE SET POINT: 50°F-100°F OVER SET POINT  
OVER TEMPERATURE SUPPRESSION SET POINT: 20°F -50°F OVER SET POINT  
BURNER CAPACITY: 750,000 BTU'S

**THERMAL OXIDIZER:**

OPERATING TEMPERATURE RANGE: 1400°F-1600°F  
RETENTION TIME AT TEMPERATURE: 0.5-1.0 SECONDS  
APPROXIMATE CAPACITY: 50 LBS. PER HOUR  
TEMPERATURE SUPPRESSION SET POINT: 100°F OVER SET POINT  
EXCESS TEMPERATURE SET POINT: 1850°F  
BURNER CAPACITY: 750,000 BTU'S  
STACK LENGTH: 18' STANDARD  
TOTAL HEIGHT (GROUND TO TOP OF STACK): 28'-2"

**UTILITIES REQUIRED:**

**PROPANE:**

AT 11" INCHES WATER COLUMN ( 0.40 PSI ) PRESSURE UNDER FLOW.  
STATIC PRESSURE NOT TO EXCEED 14" W.C.  
REGULATORS DO NOT FUNCTION PROPERLY BELOW 6" W.C.  
MAXIMUM CAPACITY: 1,500,000 BTU/HR  
NORMAL USAGE: 900,000 BTU/HR

**ELECTRICAL:**

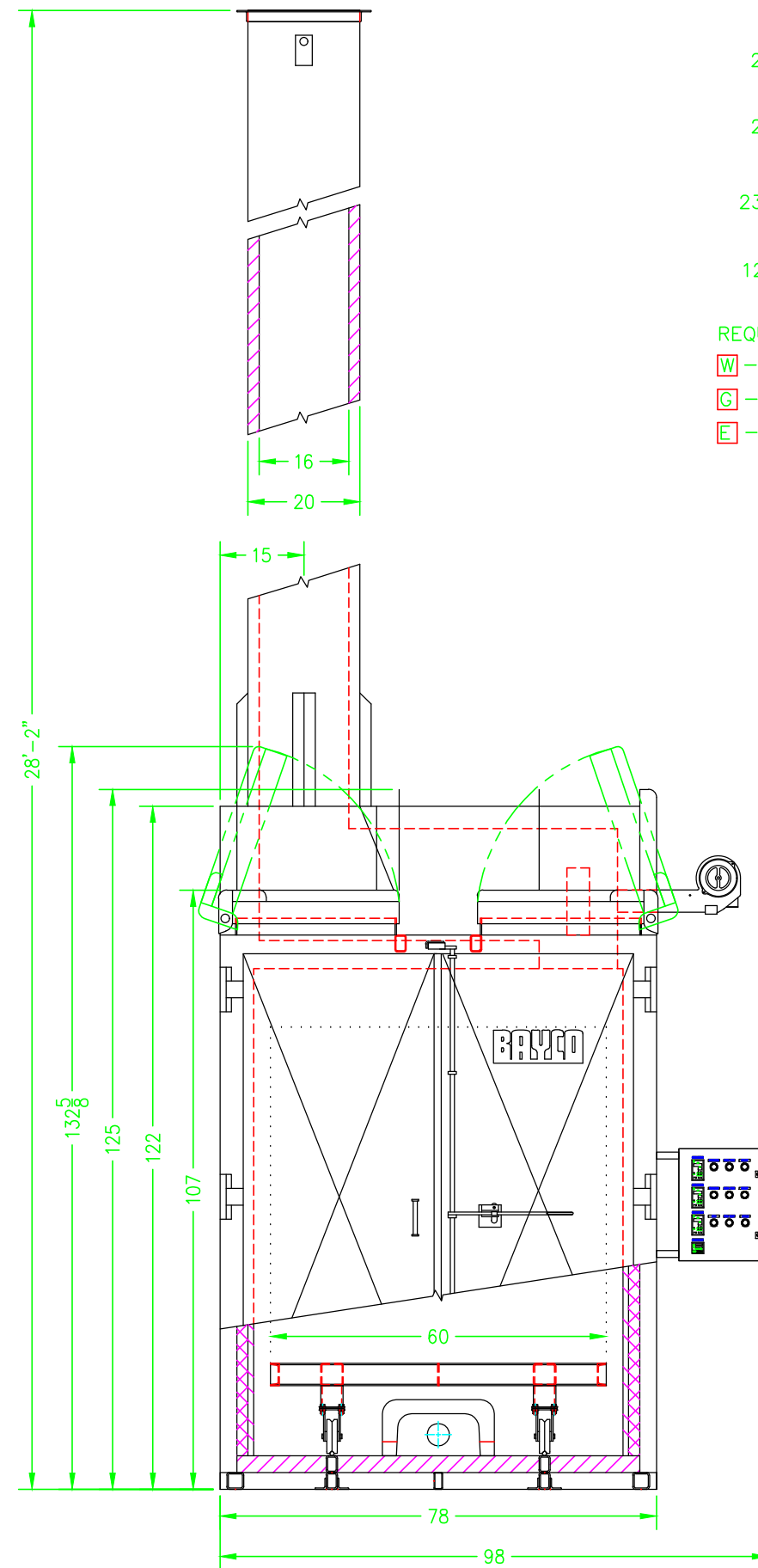
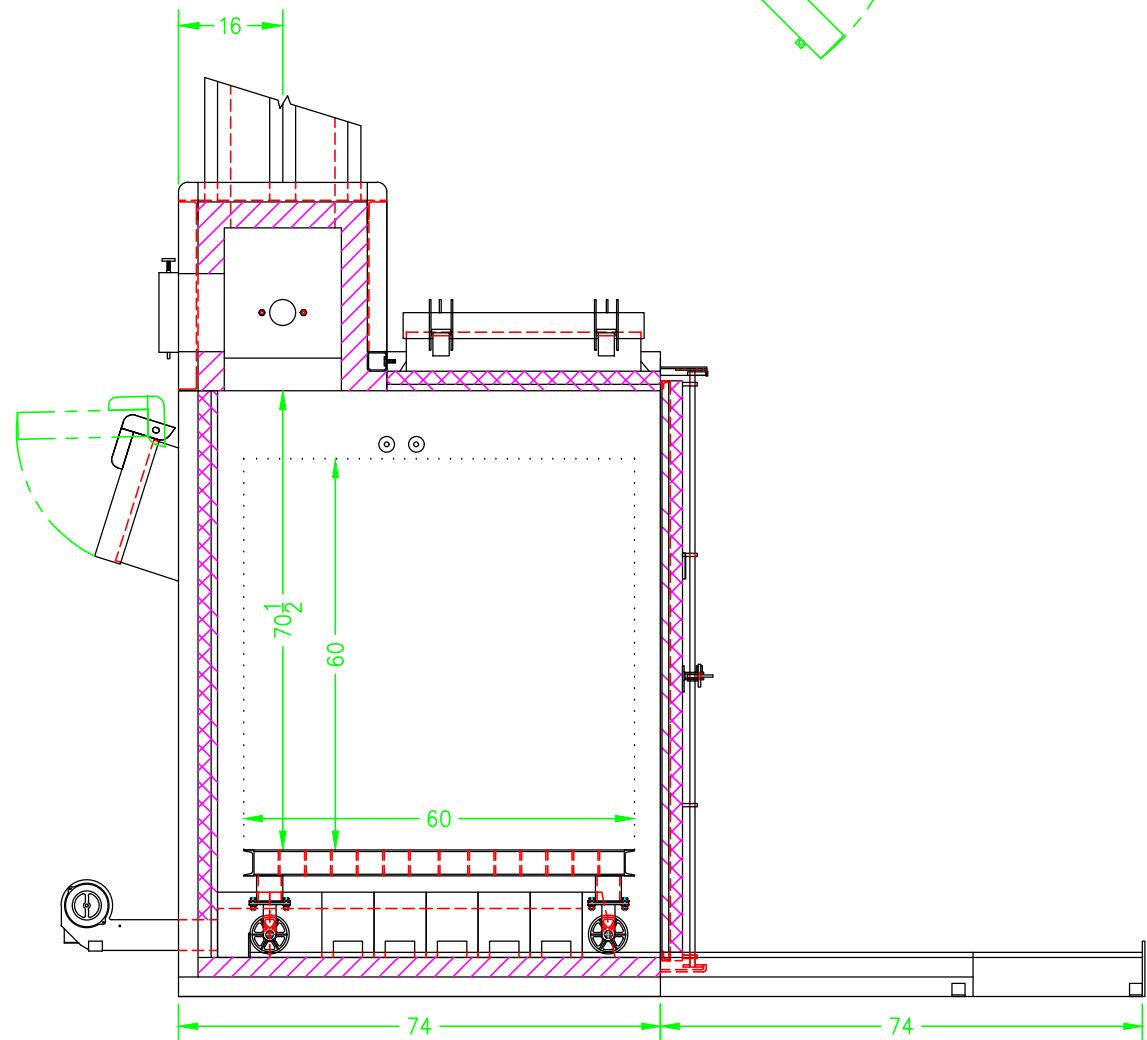
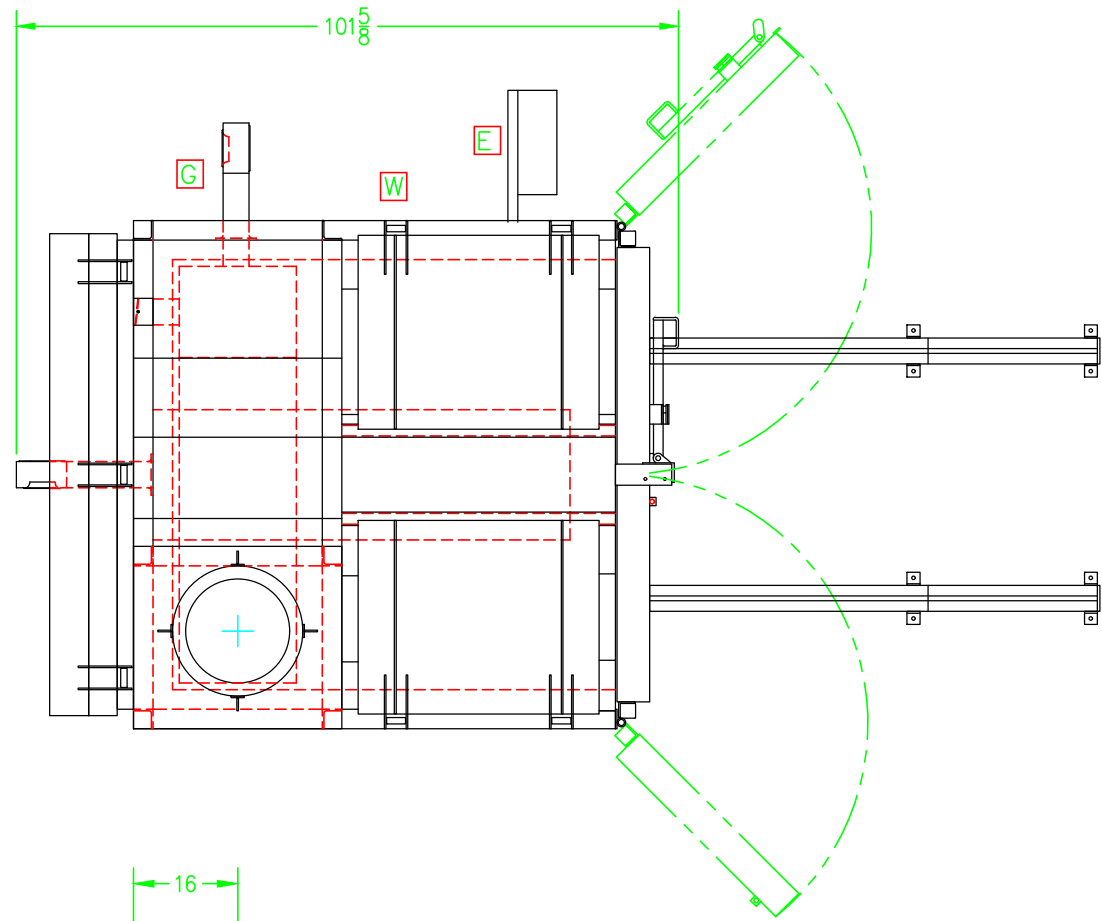
DEDICATED 120V/ 1 PH/ 60 HZ SERVICE: 15 AMPS (OVEN)  
DEDICATED 230V/ 3 PH/ 60 HZ SERVICE: 20 AMPS (SS BLOWER OPTIONAL)

**WATER:**

CONNECTION 3/4": 35-50 PSI UNDER FLOW  
ONLY REQUIRED FOR OVER  
TEMPERATURE CONDITIONS

**PERFORMANCE WARRANTY:**

PROPOSED EQUIPMENT IS WARRANTED TO BE CAPABLE OF OPERATING AT THE HEAT OUTPUT AND TEMPERATURE RANGE SHOWN ABOVE, PROVIDED PROPER UTILITIES ARE CONNECTED AND THAT THE EQUIPMENT IS PROPERLY MAINTAINED. THERMAL OXIDIZER CAPACITY RATING MAY VARY DUE TO TYPE OF COATING, LOADING CONFIGURATION, PROCESS TEMPERATURE SETTING AND CYCLE TIME.



- REFRACTORY
- 2500° CAST
  - 2300° CAST
  - 2300° BOARD
  - 1200° BLOCK
- REQUIREMENTS
- W** - 1.4 GPM AT 45 PSI
  - G** - 1,500,000 BTU'S AT 11" WC LIQUID PROPANE
  - E** - 120V 15A 60HZ 1PH SUPPLY

THIS CONCEPTUAL DRAWING IS PROVIDED TO ILLUSTRATE BASIC DESIGN AND APPROXIMATE OVER ALL DIMENSIONS.

THIS DRAWING IS PROPRIETARY INTELLECTUAL PROPERTY OF GUSPRO INC. AND IS NOT TO BE REPRODUCED OR DISTRIBUTED IN ANY MANNER WITHOUT THE EXPRESSED WRITTEN PERMISSION OF GUSPRO INC.

	OVEN NO.	DATE
	BB-606060	1/AUG/14
CUSTOMER'S NAME		
CUSTOMER'S ADDRESS		
DRAWN BY	APPROVED BY	REVISION DATE